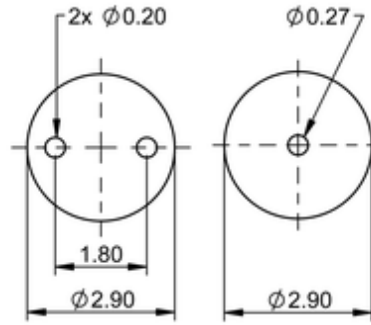
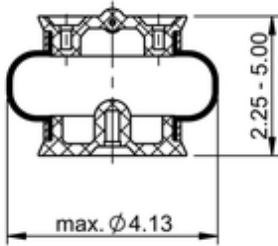




SC 26-WC20

602476



 lb	0.5 lb
	9314673

OE Manufacturer/Part No.

Manufacturer	Original Part No.	Model
Sears	S33384	