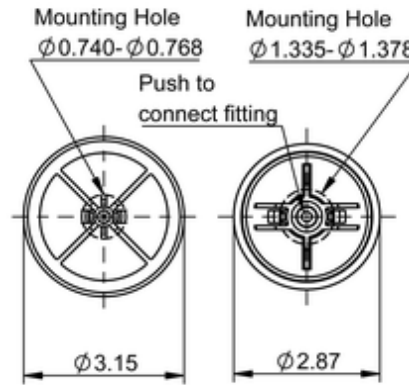
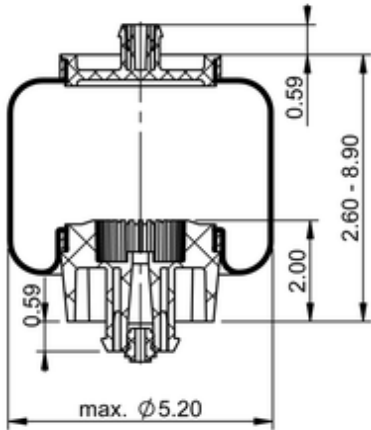




SC31-YC13

602223



 lb	0.9 lb
	9314152

OE Manufacturer/Part No.

Manufacturer	Original Part No.	Model
Link	1104-0007	