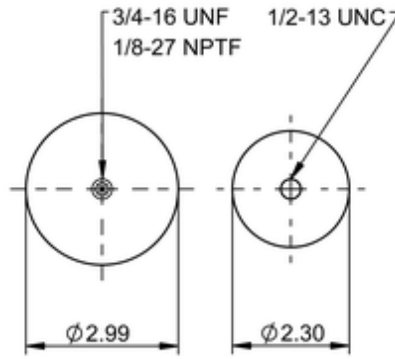
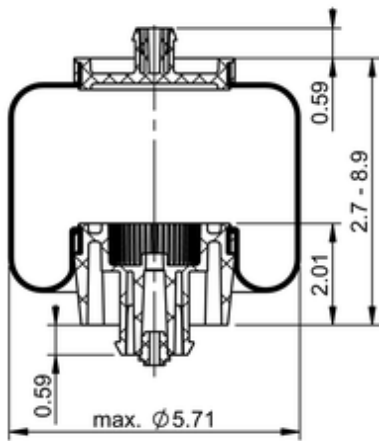




**SC31-MC15**

**602225**



	3.7 lb
	9312568

**OE Manufacturer/Part No.**

Manufacturer	Original Part No.	Model
Link	1104-0016	