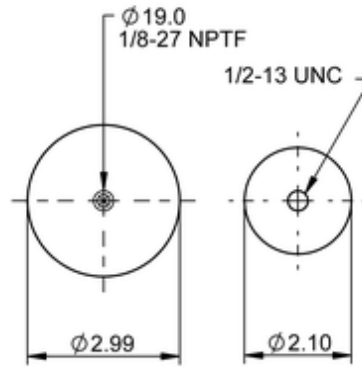
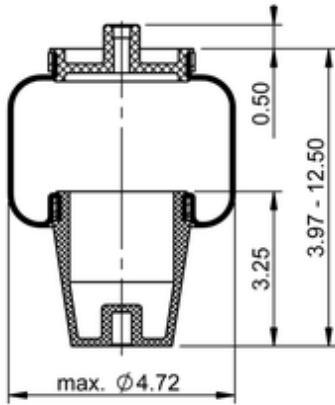






SC29-P116

601575



 lb	1 lb
	9318895
	1/2-13 UNC: max. 6 lbf ft
	1/8-27 NPTF: max. 1.5 lbf ft

Cross-reference

Firestone No.	W02-358-7116
---------------	--------------

OE Manufacturer/Part No.

Manufacturer	Original Part No.	Model
Link	1101-0030	

