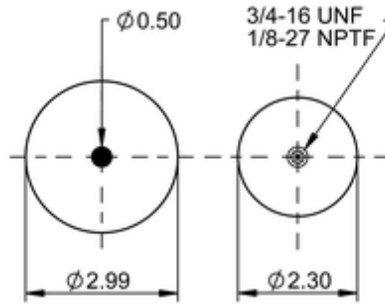
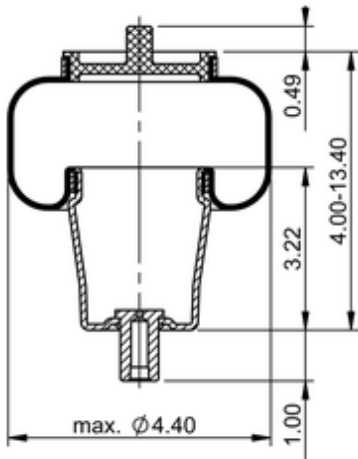






**SC29-O098**

**69924**



 lb	1.5 lb
	9313596
	1/8-27 NPTF: max. 1.5 lbf ft
	3/4-16 UNF: max. 9 lbf ft

**Cross-reference**

Firestone Style	9.62" ORANGE
Firestone No.	W02-358-7098
TRP	AS70980
Automann	ABSZ70-7098

**OE Manufacturer/Part No.**

Manufacturer	Original Part No.	Model
--------------	-------------------	-------

Link

1102-0027