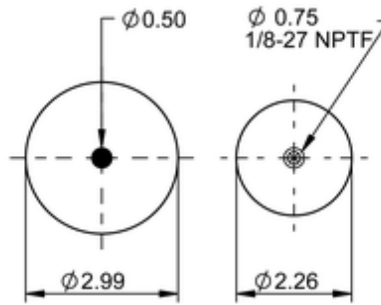
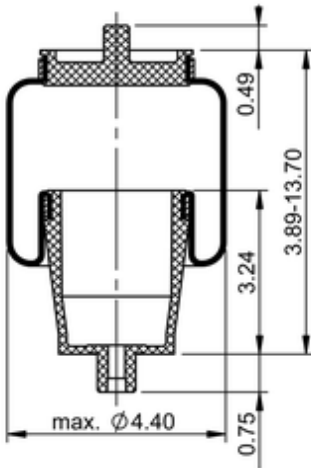


SC29-O055
69926


	1.5 lb
	9314226
	1/8-27 NPTF: max. 1.5 lbf ft

Cross-reference

Firestone Style	10.00" ORANGE
Firestone No.	W02-358-7003
Firestone No.	W02-358-7050 (Plastic)
Firestone No.	W02-358-7055
Goodyear	1S4-035
Triangle	AS-5055
TRP	AS70550

OE Manufacturer/Part No.

Manufacturer	Original Part No.	Model
National Seating	2112283	