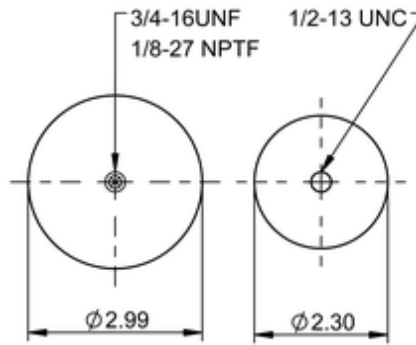
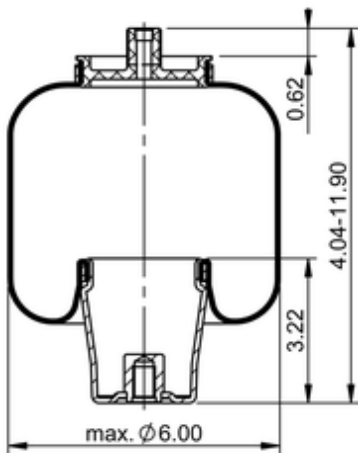







SC29-B083

78414



	2.4 lb
	9313039
	1/2-13 UNC: max. 18 lbf ft
	1/8-27 NPTF: max. 1.5 lbf ft
	3/4-16 UNF: max. 9 lbf ft

Cross-reference

Firestone No.	W02-358-7083
---------------	--------------

OE Manufacturer/Part No.

Manufacturer	Original Part No.	Model
Link	1102-0081	

