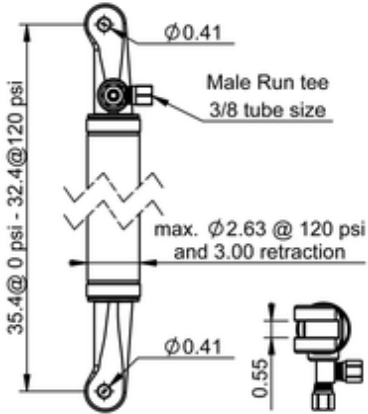



**SC17-WC08**

**77546**



	1.5 lb
---	--------

**OE Manufacturer/Part No.**

Manufacturer	Original Part No.	Model
Hendrickson	B-34050-2	