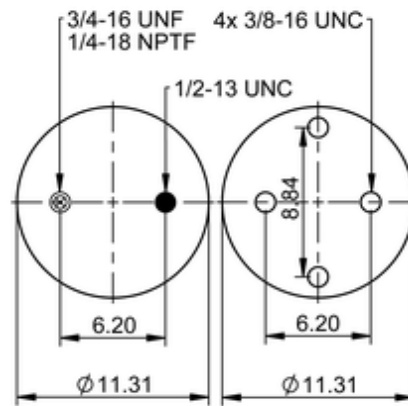
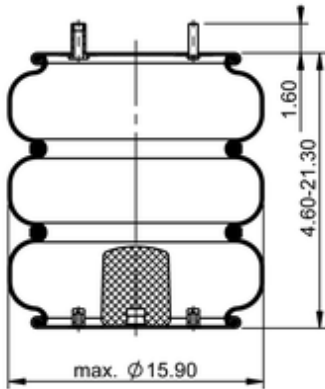






FT 530-35 808

67572



 lb	28.4 lb
	1/2-13 UNC: max. 35 lbf ft
	1/4-18 NPTF: max. 22 lbf ft
	3/8-16 UNC: max. 20 lbf ft

Cross-reference

Triangle	AS-4808
Automann	SP3B32RA-C808

OE Manufacturer/Part No.

Manufacturer	Original Part No.	Model
Watson & Chalin	AS-0222	

