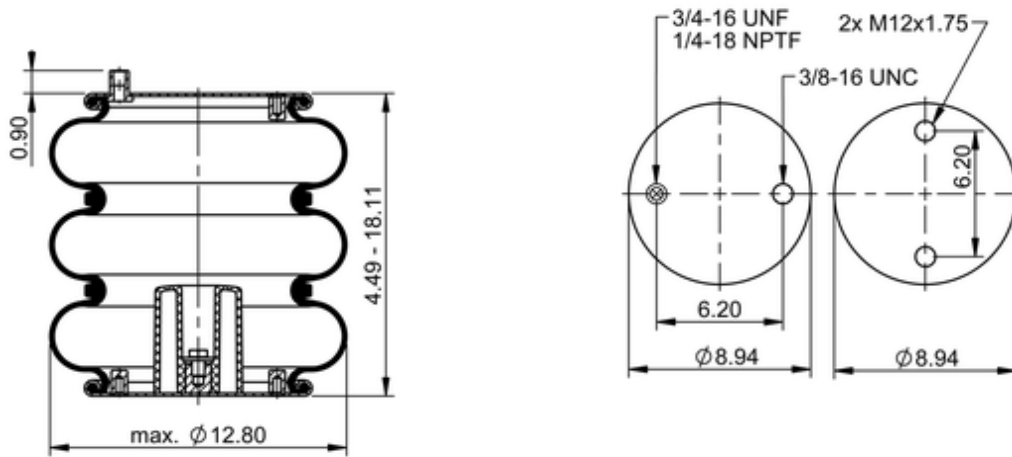


FT 330-29 909

602419



	13.6 lb
	1/4-18 NPTF: max. 22 lbf ft
	3/4-16 UNF: max. 50 lbf ft
	3/8-16 UNC: max. 18 lbf ft

OE Manufacturer/Part No.

Manufacturer	Original Part No.	Model
Watson & Chalin	AS-0048-3C	