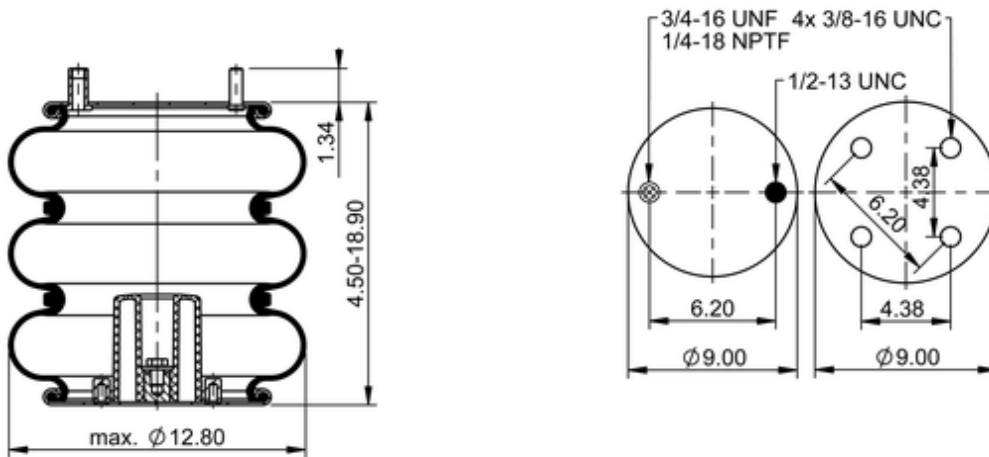






**FT 330-29 714**

**67904**



 lb	14.1 lb
	1/4-18 NPTF: max. 22 lbf ft
	3/4-16 UNF: max. 50 lbf ft
	3/8-16 UNC: max. 20 lbf ft

### Cross-reference

Firestone Style	354
Firestone No.	W01-358-8033
Triangle	AS-4714
Automann	SP3B22R-C714
Road Choice	AS8033

**OE Manufacturer/Part No.**

<b>Manufacturer</b>	<b>Original Part No.</b>	<b>Model</b>
Hendrickson	B-14487	