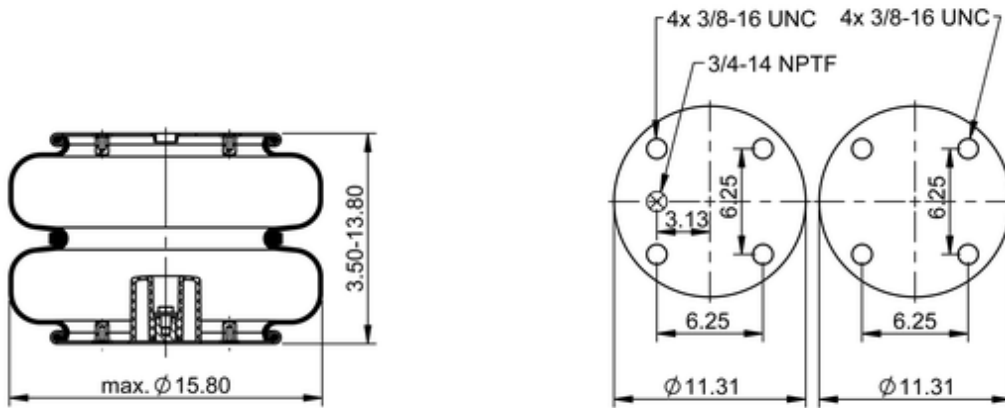


FD 530-30 707
64676


	17.5 lb
	3/4-14 NPTF: max. 22 lbf ft
	3/8-16 UNC: max. 20 lbf ft

Cross-reference

Automann	SP2B34RB-C707
----------	---------------

OE Manufacturer/Part No.

Manufacturer	Original Part No.	Model
Watson & Chalin	AS-0123-G	