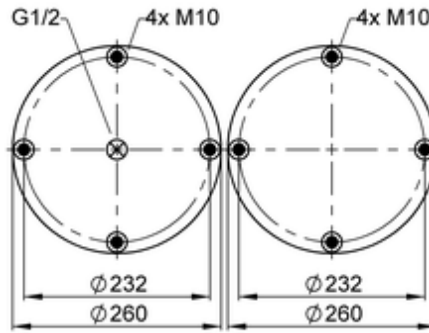
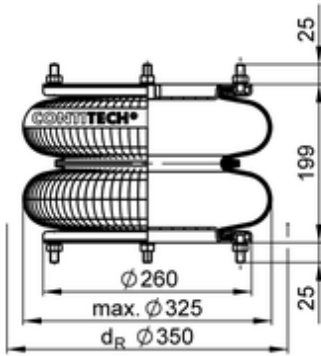


**FD 412-18 1/2 M10**
**66334**


- bolt or stud
- hole
- combination stud
- air inlet
- stud and nut

	6,9 kg
	incl.
	G1/2: max. 25 Nm
	M10: max. 35 Nm

**OE Manufacturer/Part No.**

Manufacturer	Original Part No.	Model
Granning	15813	
Gigant	881202	
Weweler	USN 510011KD	
Gigant	700881202	