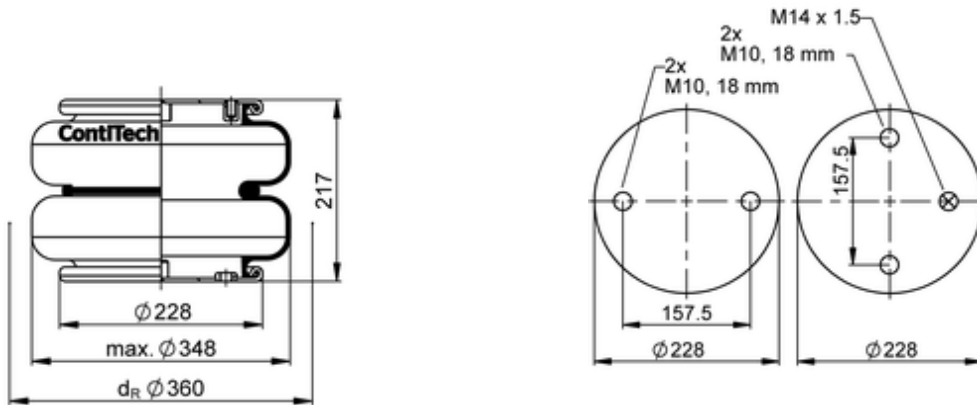


FD 330-30 M14 M10
55001


- bolt or stud
- hole
- combination stud
- air inlet
- stud and nut

kg	5,8 kg
	M10: max. 40 Nm
	M14x1.5: max. 20 Nm

OE Manufacturer/Part No.

Manufacturer	Original Part No.	Model
--------------	-------------------	-------