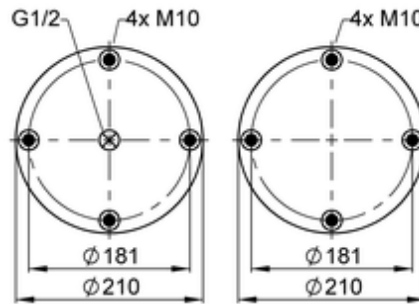
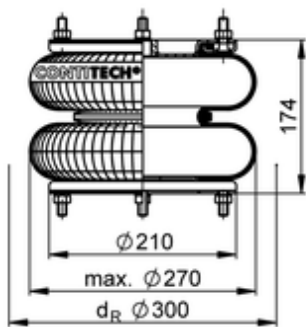


**FD 210-22 1/2 M10**
**67403**


- bolt or stud
- hole
- combination stud
- air inlet
- stud and nut

		4,9 kg
		incl.
		G1/2: max. 25 Nm
		M10: max. 35 Nm

**OE Manufacturer/Part No.**

Manufacturer	Original Part No.	Model
Granning	15807	
SAMRO	H2500021	