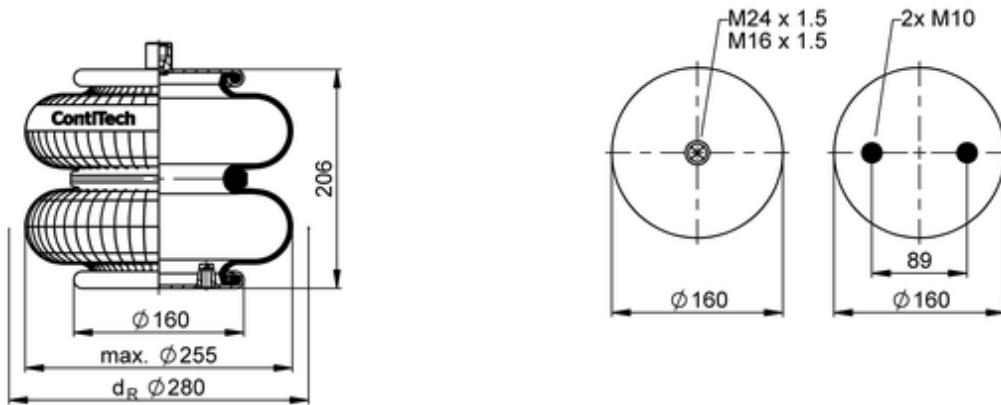


**FD 200-25 M24 M10**
**53872**


bolt or stud    
  hole    
 X combination stud    
 X air inlet    
 ● stud and nut

|    |                     |
|----|---------------------|
| kg | 3,3 kg              |
|    | M10: max. 40 Nm     |
|    | M16x1.5: max. 20 Nm |
|    | M24x1.5: max. 60 Nm |

**OE Manufacturer/Part No.**

| Manufacturer | Original Part No. | Model   |
|--------------|-------------------|---------|
| Volvo        | 22 573 233        | FM / FH |
| Volvo        | 20 541 504        | FM / FH |