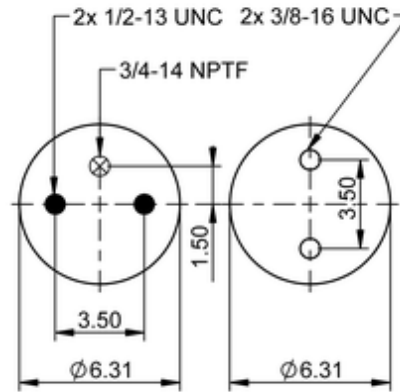
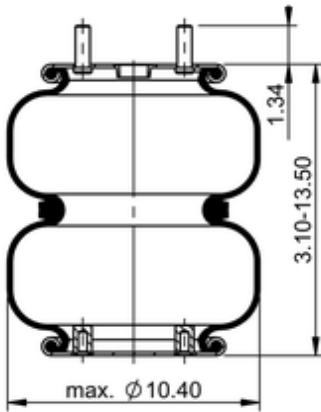


FD 200-25 721
64622


	7 lb
	1/2-13 UNC: max. 35 lbf ft
	3/4-14 NPTF: max. 22 lbf ft
	3/8-16 UNC: max. 20 lbf ft

Cross-reference

Firestone Style	20 - 2
Firestone No.	W01-358-6817
Goodyear	2B9-270
Goodyear Flex No.	57892306
TRP	AS07214

OE Manufacturer/Part No.

Manufacturer	Original Part No.	Model
Watson & Chalin	AS-0111-G	