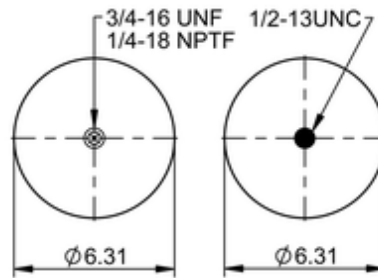
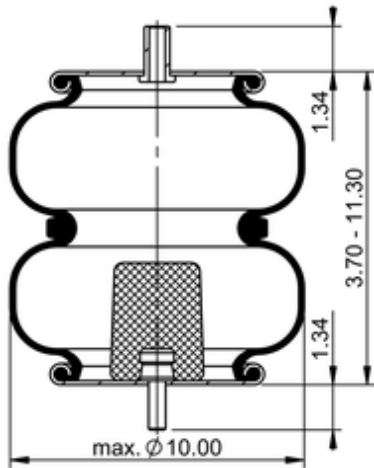


FD 200-22 529
64558


	7.7 lb
	1/2-13 UNC: max. 35 lbf ft
	1/4-18 NPTF: max. 22 lbf ft
	3/4-16 UNF: max. 50 lbf ft

Cross-reference

Firestone Style	20-1
Firestone No.	W01-358-6883
Goodyear	2B9-283
Taurus	6332
Triangle	AS-4529
TRP	AS68830
Automann	SP2B12RB-6883

OE Manufacturer/Part No.

Manufacturer	Original Part No.	Model
Watson & Chalin	AS-0092	