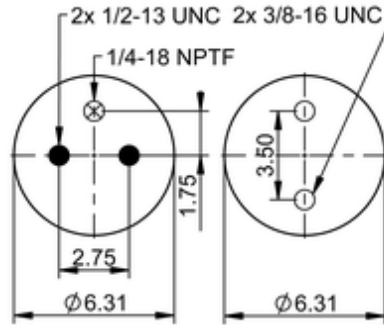
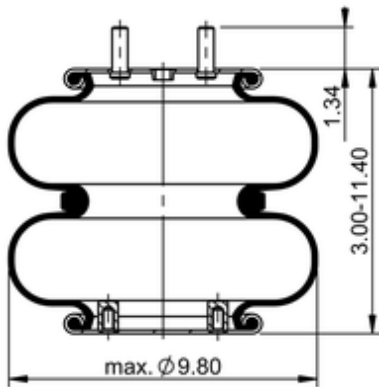


FD 200-20 785
67706


	6.6 lb
	1/2-13 UNC: max. 35 lbf ft
	1/4-18 NPTF: max. 22 lbf ft
	3/8-16 UNC: max. 18 lbf ft

Cross-reference

Triangle	AS-4785
TRP	AS07854
Automann	SP2B12R-C785

OE Manufacturer/Part No.

Manufacturer	Original Part No.	Model
SAF Holland	90557366	

