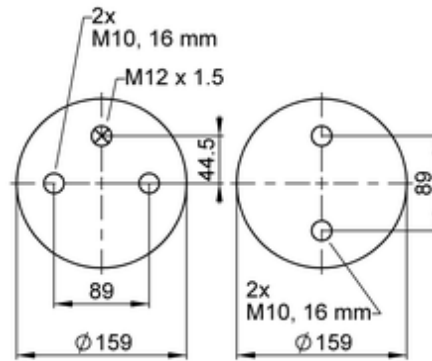
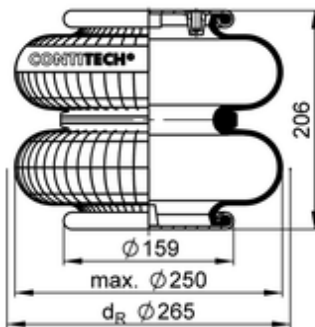







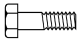




FD 200-19 P04

72044



 bolt or stud
  hole
  combination stud
  air inlet
  stud and nut

	3 kg
	10002631
	K023
	M10: max. 35 Nm
	M12x1.5: max. 40 Nm

OE Manufacturer/Part No.

Manufacturer	Original Part No.	Model
Granning	15599	
Scania	1723523	
SAF - Holland	04229100400	
Kögel	6501706	
Kögel	6502824	
Scania	1387289	
Scania	1319761	

