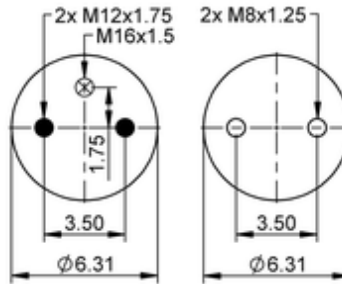
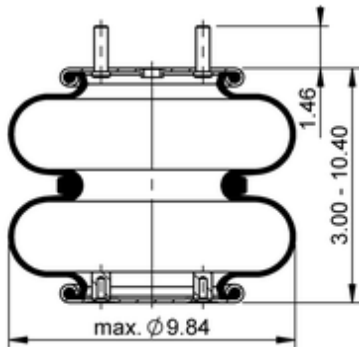


**FD 200-19 923 Brazil**
**73476**


|  |                          |
|--|--------------------------|
|  | 6.4 lb                   |
|  | M12x1.75: max. 35 lbf ft |
|  | M16x1.5: max. 22 lbf ft  |
|  | M8: max. 20 lbf ft       |

**Cross-reference**

|                   |              |
|-------------------|--------------|
| Goodyear          | 578 2 2 8761 |
| Goodyear Flex No. | 578 2 3 8325 |
| Flexyon system    | XY 6148      |
| Suspentech system | ST 861       |

**OE Manufacturer/Part No.**

| Manufacturer | Original Part No. | Model |
|--------------|-------------------|-------|
|--------------|-------------------|-------|

Silpa

2210200196