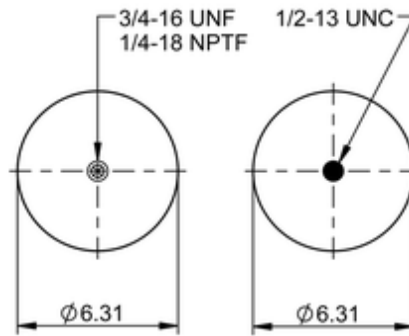
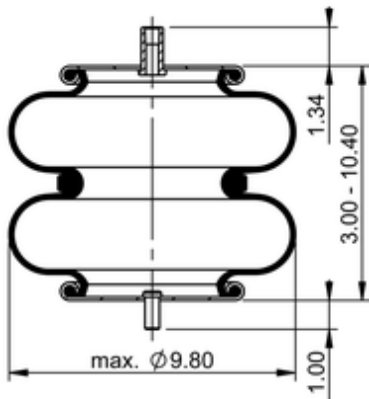






FD 200-19 761

75977



 lb	6.4 lb
	1/2-13 UNC: max. 35 lbf ft
	1/4-18 NPTF: max. 22 lbf ft
	3/4-16 UNF: max. 50 lbf ft

### Cross-reference

TRP	AS07614
-----	---------

### OE Manufacturer/Part No.

Manufacturer	Original Part No.	Model
Watson & Chalin	AS-0058C	

