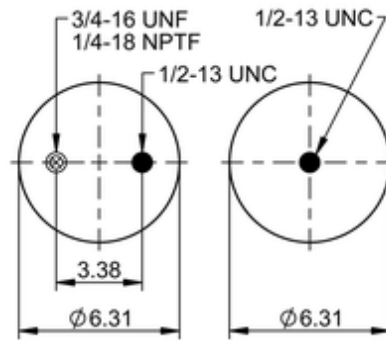
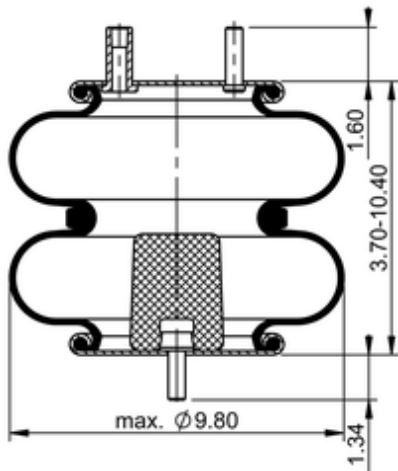






FD 200-19 712

64685



 lb	7.6 lb
	1/2-13 UNC: max. 35 lbf ft
	1/4-18 NPTF: max. 18 lbf ft
	3/4-16 UNC: max. 50 lbf ft

Cross-reference

Firestone Style	20
Firestone No.	W01-358-7686
Automann	SP2B12R-7686

OE Manufacturer/Part No.

Manufacturer	Original Part No.	Model
Rowe Truck	0035ASC1600	

Rowe Truck

0035ASC2500