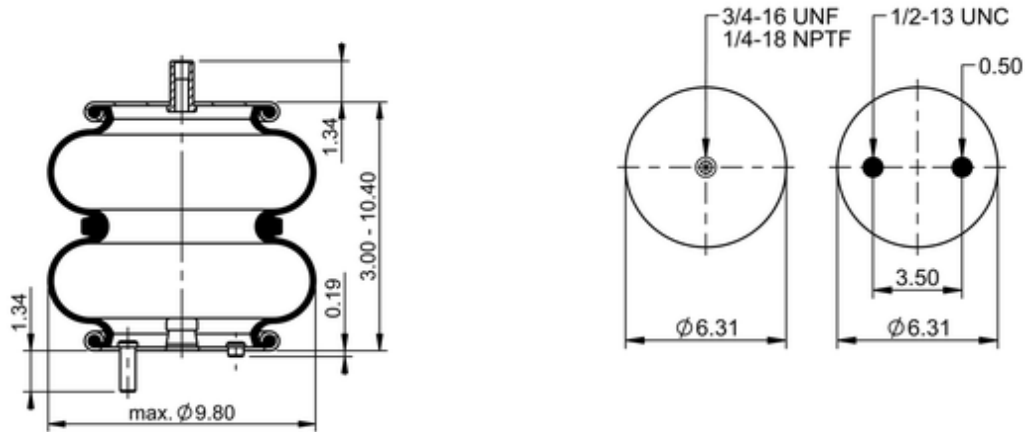


**FD 200-19 1148**
**77120**


	6.5 lb
	$1/2-13$ UNC: max. 35 lbf ft
	$1/4-18$ NPTF: max. 22 lbf ft
	$3/4-16$ UNF: max. 50 lbf ft

**Cross-reference**

Goodyear	2B9-296
Goodyear Flex No.	578-923-211
Triangle	AS-41148

**OE Manufacturer/Part No.**

Manufacturer	Original Part No.	Model
Ridewell	1002B09296G	

