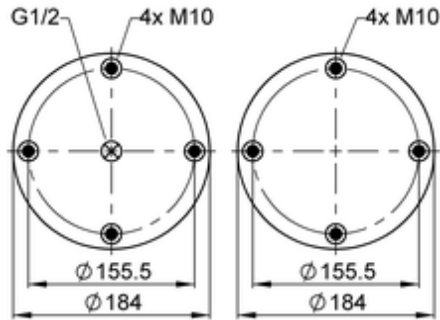
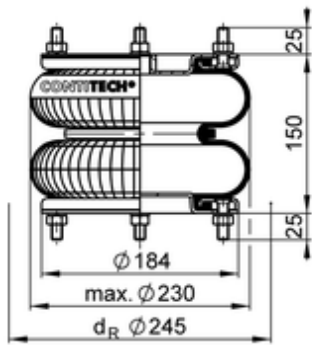


**FD 138-18 1/2 M10**
**66505**


- bolt or stud
- hole
- combination stud
- air inlet
- stud and nut

kg	3,9 kg
	incl.
	G1/2: max. 25 Nm
	M10: max. 35 Nm

**OE Manufacturer/Part No.**

Manufacturer	Original Part No.	Model
SAMRO	H2500188	
Granning	15803	
Fruehauf	F 48054	
Fruehauf	M 80A04	
Lohr	A06030604	