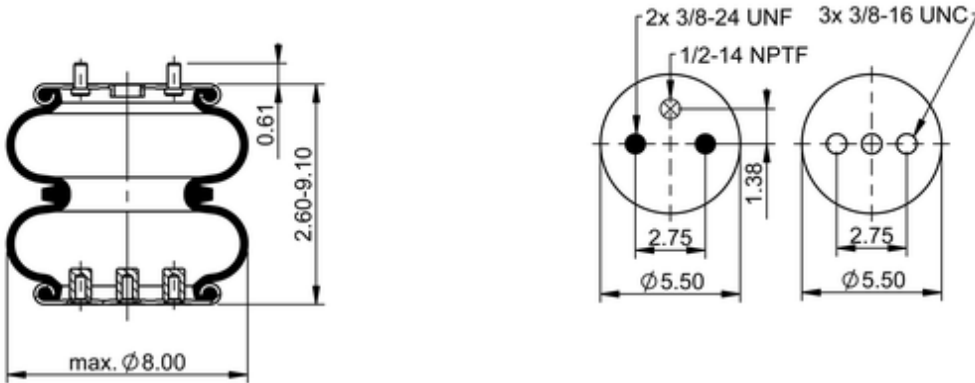


FD 110-15 734
64731


	4.9 lb
	1/2-14 NPTF: max. 22 lbf ft
	3/8-16 UNC: max. 20 lbf ft

Cross-reference

Triangle	AS-4734
Automann	2B06RD-C734

OE Manufacturer/Part No.

Manufacturer	Original Part No.	Model
MAC	2380 Z2-0	