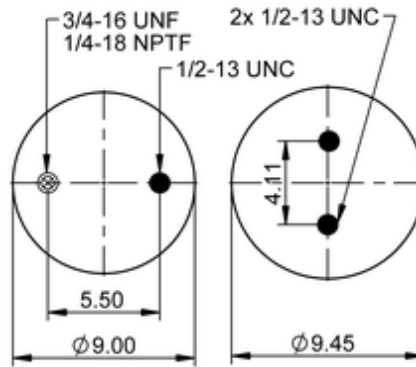
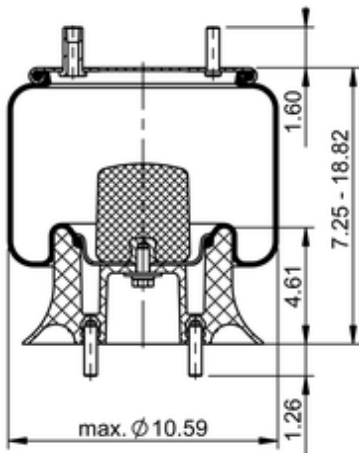







9 9M-13 P 1197

75410



	13.3 lb
	9317208
	1/2-13 UNC: max. 35 lbf ft
	1/4-18 NPTF: max. 22 lbf ft
	3/4-16 UNF: max. 50 lbf ft

Cross-reference

Goodyear	1R11-119
----------	----------

OE Manufacturer/Part No.

Manufacturer	Original Part No.	Model
--------------	-------------------	-------

