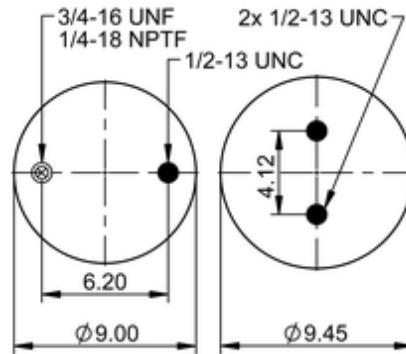
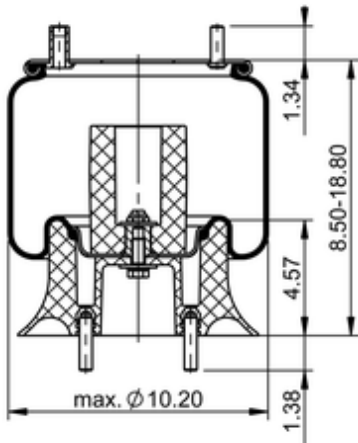







9 9M-13 P 1156

75007



	13.7 lb
	9317208
	1/2-13 UNC: max. 35 lbf ft
	1/4-18 NPTF: max. 22 lbf ft
	3/4-16 UNF: max. 50 lbf ft

Cross-reference

Firestone No.	W01-358-9539
---------------	--------------

OE Manufacturer/Part No.

Manufacturer	Original Part No.	Model
--------------	-------------------	-------

