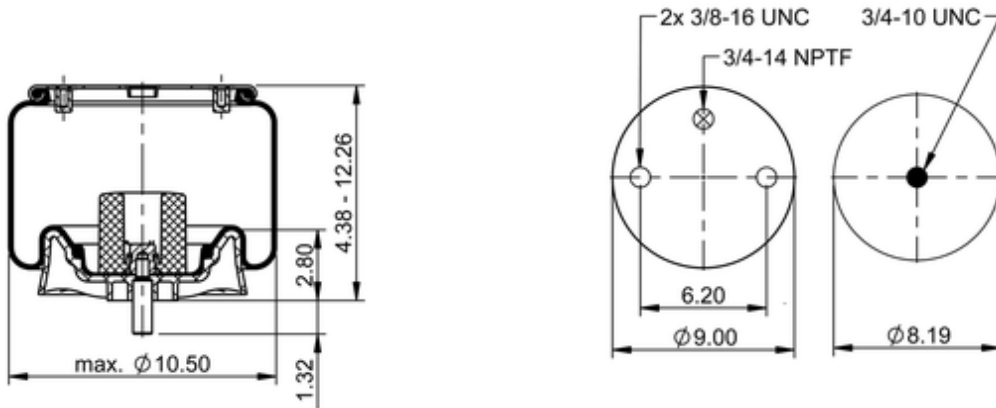






9 9L-10 P 1594

601536



 lb	10.1 lb
	9311561
	3/4-10 UNC: max. 50 lbf ft
	3/4-14 NPTF: max. 22 lbf ft

Cross-reference

Firestone No.	W01-358-5748
---------------	--------------

OE Manufacturer/Part No.

Manufacturer	Original Part No.	Model
--------------	-------------------	-------