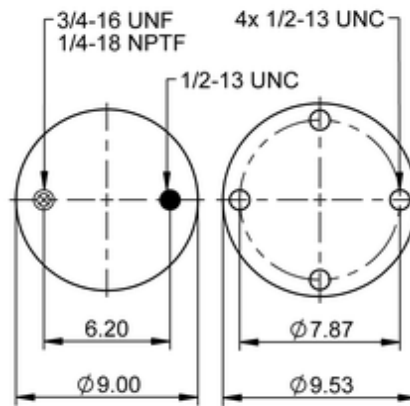
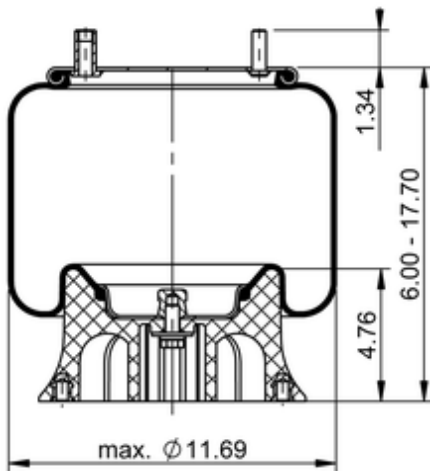


9 9-14 P 895
67492


	11.4 lb
	9308301
	1/2-13 UNC: max. 35 lbf ft
	1/4-18 NPTF: max. 22 lbf ft
	3/4-16 UNF: max. 50 lbf ft

Cross-reference

Firestone Style	1T15L-4X
Firestone No.	W01-W35-9385
Goodyear	1R11-178
Goodyear Flex No.	566223143
TRP	AS93850
Automann	1DK20E-9385

OE Manufacturer/Part No.

Manufacturer	Original Part No.	Model
New Flyer	55089	