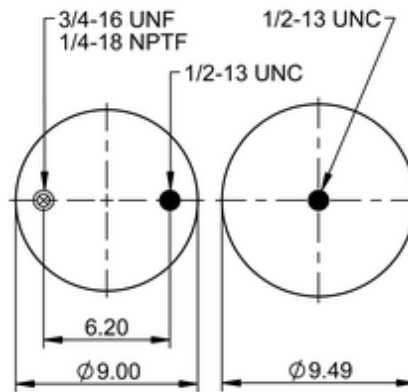
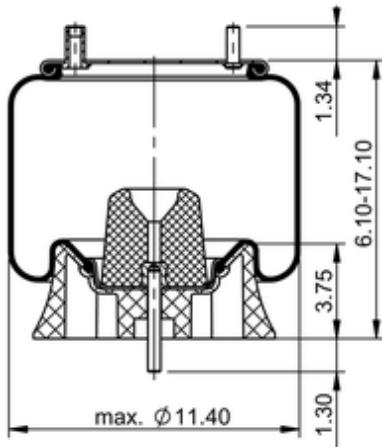







9 9-14 P 768

64714



 lb	12.1 lb
	9311939
	1/2-13 UNC: max. 35 lbf ft
	1/4-18 NPTF: max. 22 lbf ft
	3/4-16 UNF: max. 50 lbf ft

### Cross-reference

Automann	1DK20E-A768
----------	-------------

### OE Manufacturer/Part No.

Manufacturer	Original Part No.	Model
Link	1103-0505	

