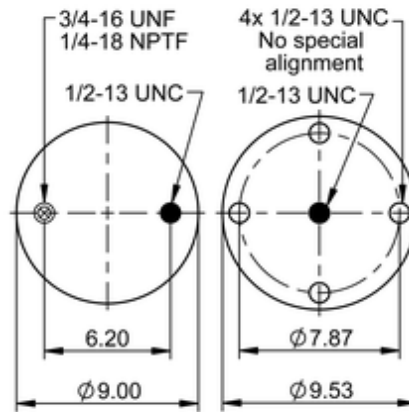
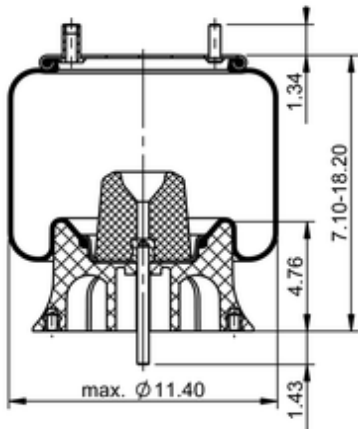


**9 9-14 P 708**
**64631**


	12.3 lb
	9308301
	1/2-13 UNC: max. 35 lbf ft
	1/4-18 NPTF: max. 22 lbf ft
	3/4-16 UNF: max. 50 lbf ft

**Cross-reference**

Firestone No.	W01-W35-9465
Goodyear	1R11-179
Goodyear Flex No.	566223143
Automann	1DK20E-P708

**OE Manufacturer/Part No.**

<b>Manufacturer</b>	<b>Original Part No.</b>	<b>Model</b>
New Flyer	99865	