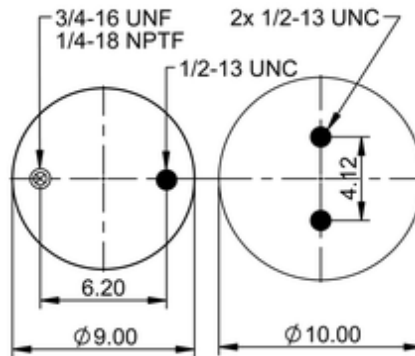
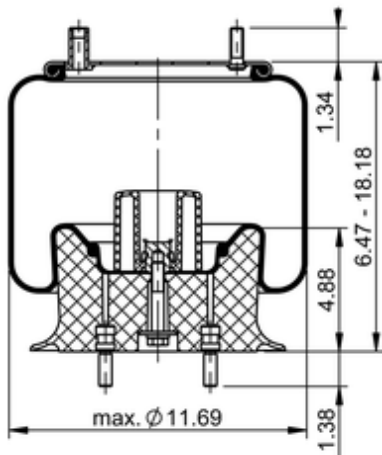







9 9-14 P 1142

74767



 lb	13.9 lb
	9314115
	1/2-13 UNC: max. 35 lbf ft
	1/4-18 NPTF: max. 22 lbf ft
	3/4-16 UNF: max. 50 lbf ft

### Cross-reference

Firestone Style	1T15L-4X
Firestone No.	W01-W35-9468

### OE Manufacturer/Part No.

Manufacturer	Original Part No.	Model
--------------	-------------------	-------

