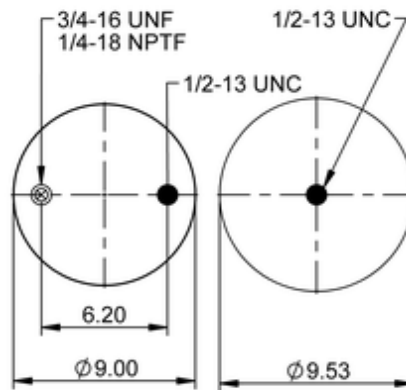
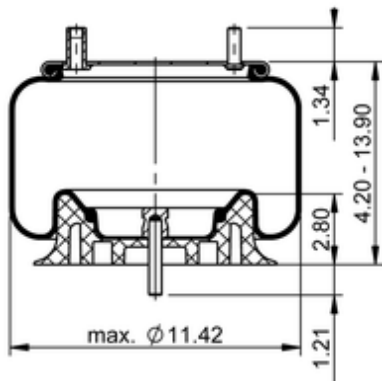


9 9-12 P 1155
74911


	9.3 lb
	9308127
	1/2-13 UNC: max. 35 lbf ft
	1/4-18 NPTF: max. 22 lbf ft
	3/4-16 UNF: max. 50 lbf ft

Cross-reference

Firestone No.	W01-653-9446
Goodyear	1R12-156
Goodyear Flex No.	566243067
Triangle	AS-81155

OE Manufacturer/Part No.

Manufacturer	Original Part No.	Model
MCI	2K-3-11	
Prevost	63-0179	