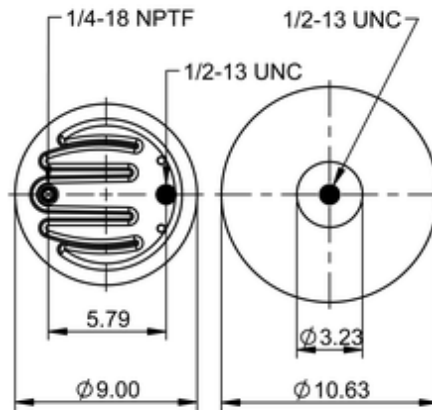
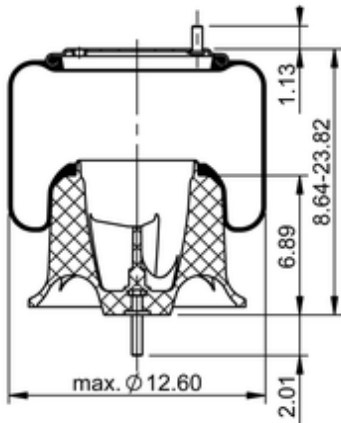


9 10S-16 P 1653

602207



	lb
	9319912
	1/2-13 UNC: max. 35 lbf ft
	1/4-18 NPTF: max. 18 lbf ft

**OE Manufacturer/Part No.**

Manufacturer	Original Part No.	Model
Freightliner	A16-21077-000	
Freightliner	A16-21077-001	