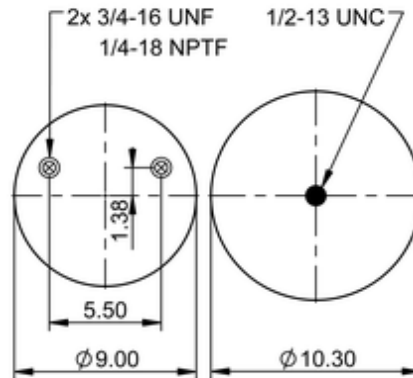
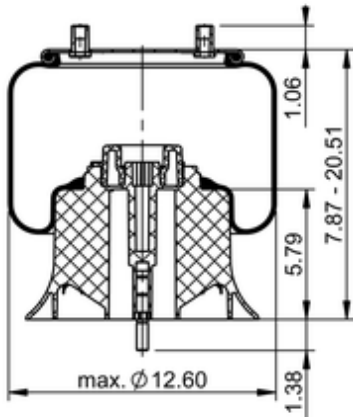


**9 10PSW-14.5 P 1654**
**602212**


	12.1 lb
	67588
	9318886
	1/2-13 UNC: max. 35 lbf ft
	1/4-18 NPTF: max. 22 lbf ft
	3/4-16 UNF: max. 50 lbf ft

**Cross-reference**

Primeride	PR9MWR14.5
TRP	AS16543
Automann	1DF23S-P1654
Road Choice	RC9MWR14.5

**OE Manufacturer/Part No.**

<b>Manufacturer</b>	<b>Original Part No.</b>	<b>Model</b>
---------------------	--------------------------	--------------