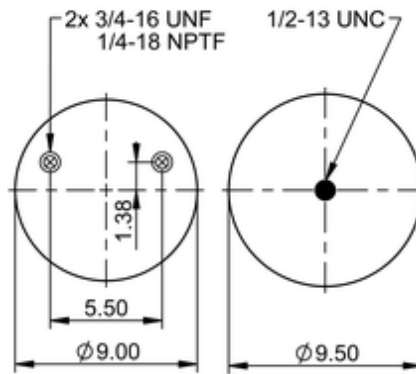
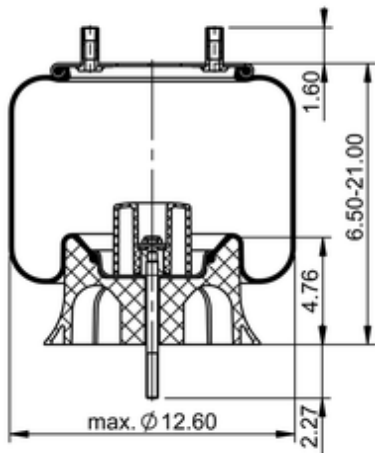


**9 10P-16.5 P 194**
**78226**


	12.8 lb
	9308128
	1/2-13 UNC: max. 35 lbf ft
	1/4-18 NPTF: max. 22 lbf ft
	3/4-16 UNF: max. 50 lbf ft

**Cross-reference**

TRP	AS01943
Automann	1DK23K-P194

**OE Manufacturer/Part No.**

Manufacturer	Original Part No.	Model
--------------	-------------------	-------

SAF Holland

90557403