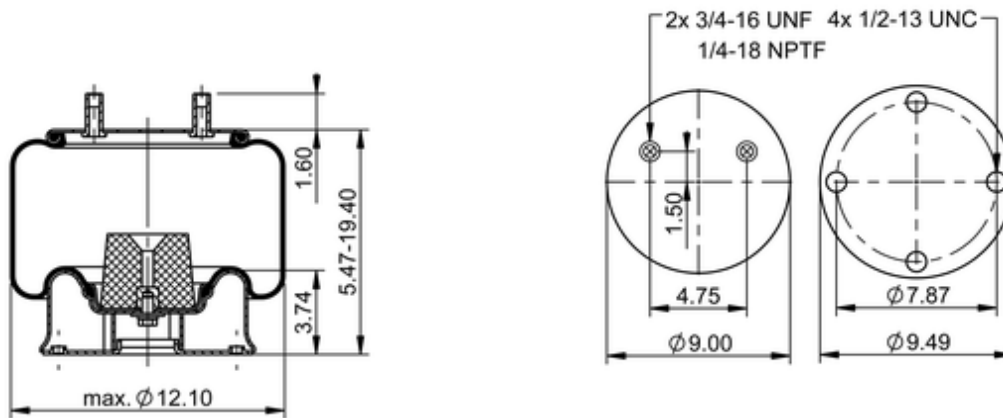


9 10J-16 S 1551
600688


| | |
|--|-----------------------------|
| | 19.8 lb |
| | 9311827 |
| | 1/2-13 UNC: max. 35 lbf ft |
| | 1/4-18 NPTF: max. 18 lbf ft |
| | 3/4-16 UNF: max. 50 lbf ft |

Cross-reference

| | |
|-------------------|-----------|
| Goodyear | 1R11-232 |
| Goodyear Flex No. | 566223143 |

OE Manufacturer/Part No.

| Manufacturer | Original Part No. | Model |
|--------------|-------------------|-------|
|--------------|-------------------|-------|

