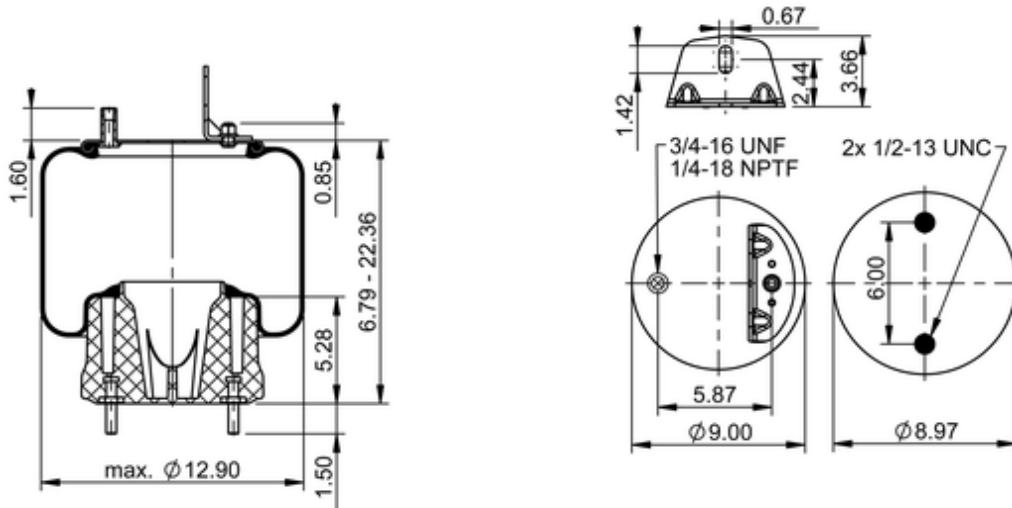


**9 10BS-17 P 1193**
**75267**


	13 lb
	9316995
	1/2-13 UNC: max. 35 lbf ft
	1/4-18 NPTF: max. 22 lbf ft
	3/4-16 UNF: max. 50 lbf ft

**Cross-reference**

Firestone Style	1T15VMR-8
Firestone No.	W01-358-9866
Triangle	AS-81193

**OE Manufacturer/Part No.**

<b>Manufacturer</b>	<b>Original Part No.</b>	<b>Model</b>
Hendrickson	67391-2	