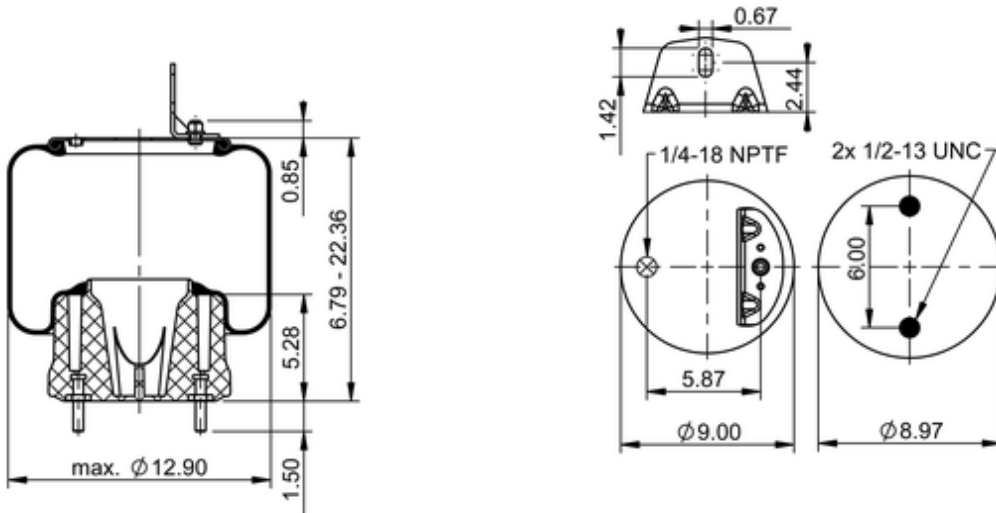






9 10BS-17 P 1192 (BK)

75266



	14.2 lb
	9316995
	1/2-13 UNC: max. 35 lbf ft
	1/4-18 NPTF: max. 22 lbf ft

### Cross-reference

Firestone Style	1T15VMR-8
Firestone No.	W01-358-9865
Triangle	AS-81192
TRP	AS98650

### OE Manufacturer/Part No.

Manufacturer	Original Part No.	Model
--------------	-------------------	-------

