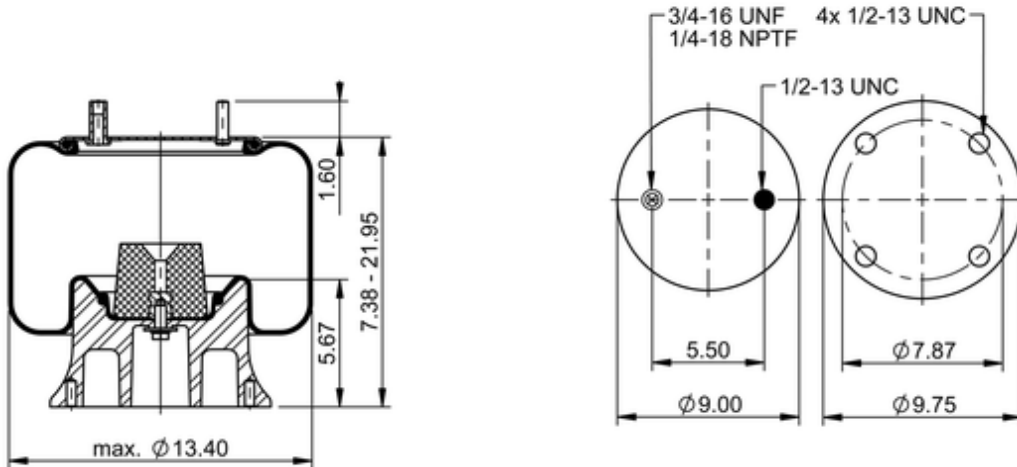


9 10B-17.5 A 362
65359


	17.1 lb
	9311400
	1/2-13 UNC: max. 35 lbf ft
	1/4-18 NPTF: max. 22 lbf ft
	3/4-16 UNF: max. 50 lbf ft

Cross-reference

Firestone Style	1T15V-8
Firestone No.	W01-358-9274
Taurus	6369
Triangle	AS-8362
TRP	AS92740
Automann	1DK23Q-9274

OE Manufacturer/Part No.

Manufacturer	Original Part No.	Model
Ridewell	1003589274C	