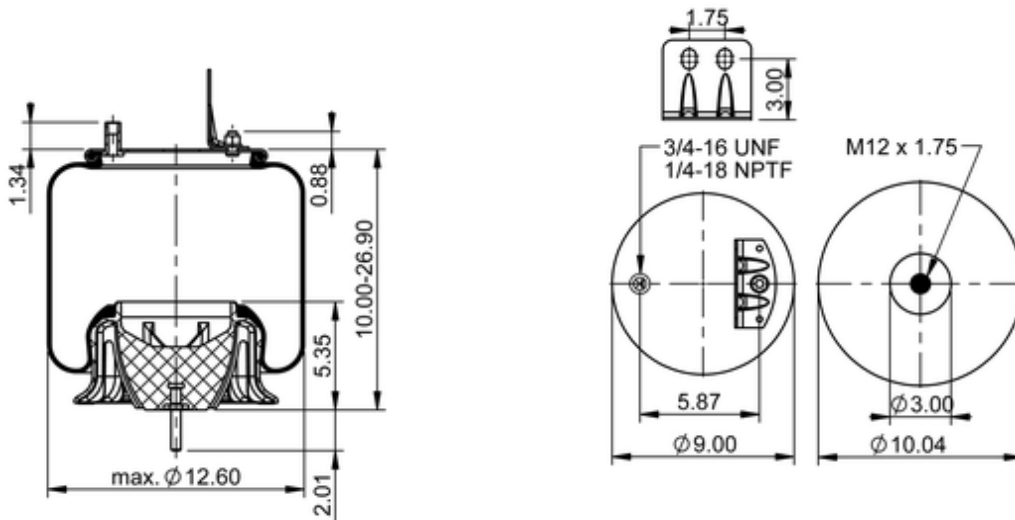


9 10AS-21 P 1280
77093


	12.8 lb
	9316239
	1/4-18 NPTF: max. 22 lbf ft
	3/4-16 UNF: max. 50 lbf ft

Cross-reference

Goodyear	1R12-507
Goodyear Flex No.	566-24-3-090
Triangle	AS-81280
TRP	AS12803

OE Manufacturer/Part No.

Manufacturer	Original Part No.	Model
--------------	-------------------	-------

