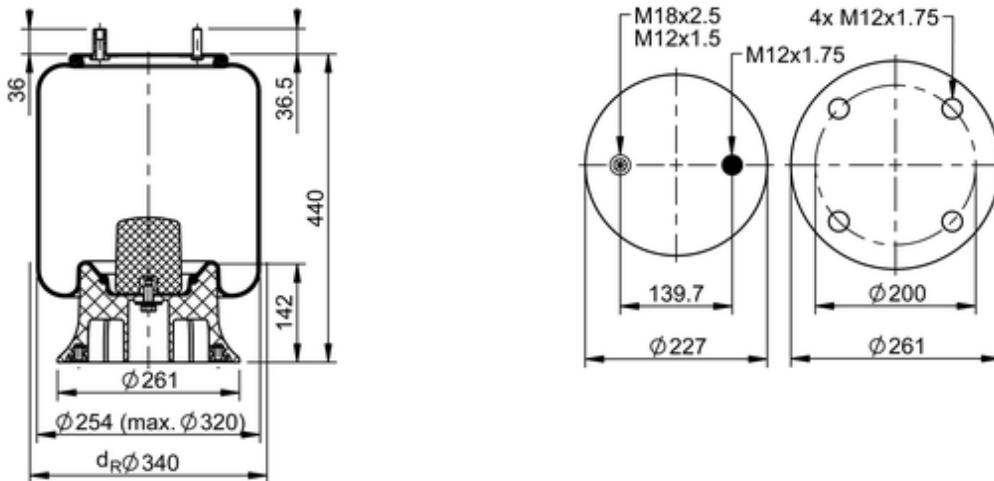


**9 10-21 P 955 Brazil**
**67534**


	15.9 lb
	9309661
	M12x1.5: max. 22 lbf ft
	M12x1.75: max. 35 lbf ft
	M18: max. 35 lbf ft

**Cross-reference**

Firestone Style	1T15M-11
Firestone No.	W01-095-0501
Suspentech flex	ST 059K
Suspentech system	ST 059

**OE Manufacturer/Part No.**

<b>Manufacturer</b>	<b>Original Part No.</b>	<b>Model</b>
FACCHINI	0308501715	