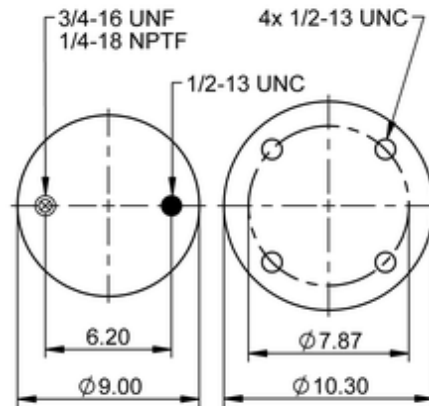
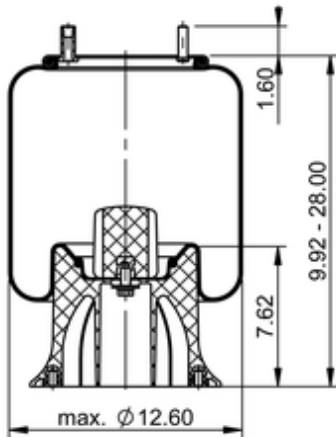







9 10-21 P 505

64384



	17.4 lb
	9308129
	1/2-13 UNC: max. 35 lbf ft
	1/4-18 NPTF: max. 22 lbf ft
	3/4-16 UNF: max. 50 lbf ft

Cross-reference

Goodyear	1R12-256
Goodyear Flex No.	566243090
Taurus	6373
Triangle	AS-8505
TRP	AS93670
Automann	1DK23N-9367P

OE Manufacturer/Part No.

Manufacturer	Original Part No.	Model
Watson & Chalin	AS-0137	
Suspensions, Inc.	201335	
Hendrickson	B-4375	
Hendrickson	B-14249	
Hendrickson	003319	
Watson & Chalin	AS-0104	
Loadguard	SC2120	