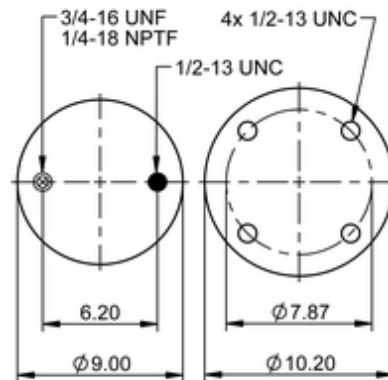
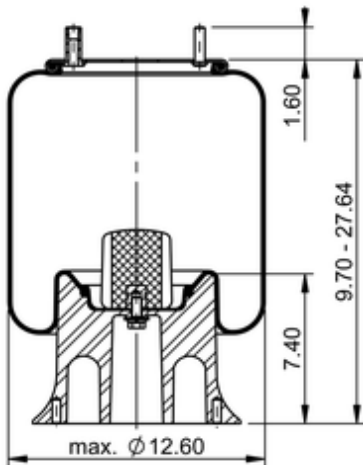


9 10-21 A 505
64716


	20 lb
	9305198
	1/2-13 UNC: max. 35 lbf ft
	1/4-18 NPTF: max. 22 lbf ft
	3/4-16 UNF: max. 50 lbf ft

Cross-reference

Primeride	AS PR9M21 9367
Firestone Style	1T15M-11
Firestone No.	W01-358-9367
FleetPride	AS9367
Taurus	6373
Triangle	AS-8505

TRP	AS9367A
Automann	1DK23N-9367A
Road Choice	AS9367

OE Manufacturer/Part No.

Manufacturer	Original Part No.	Model
Loadguard	SC2120	
Hendrickson	B-14249	
Watson & Chalin	AS-0104	
Hendrickson	003319	
Hendrickson	B-4375	
Suspensions, Inc.	201335	
Watson & Chalin	AS-0137	