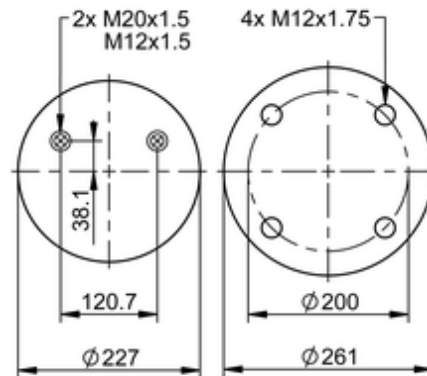
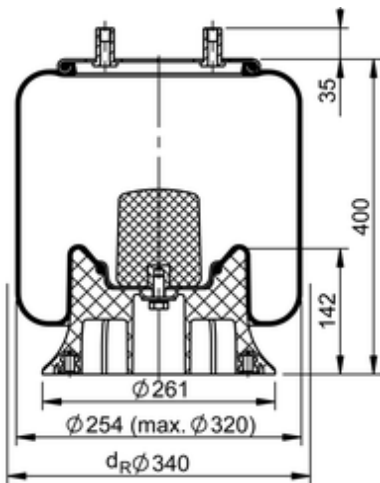


**9 10-19 P 953 Brazil**
**67524**


	16.1 lb
	9309661
	M12x1.5: max. 22 lbf ft
	M12x1.75: max. 35 lbf ft
	M20x1.5: max. 35 lbf ft

**Cross-reference**

Firestone Style	1T15M-9
Firestone No.	W01-095-0528
Firestone No.	W01-095-0667
Goodyear	556 0 2 8741
Goodyear Flex No.	556 0 3 8084
Suspentech flex	ST 144K

Suspentech system	ST 144
-------------------	--------

**OE Manufacturer/Part No.**

<b>Manufacturer</b>	<b>Original Part No.</b>	<b>Model</b>
FACCHINI	0308501719	