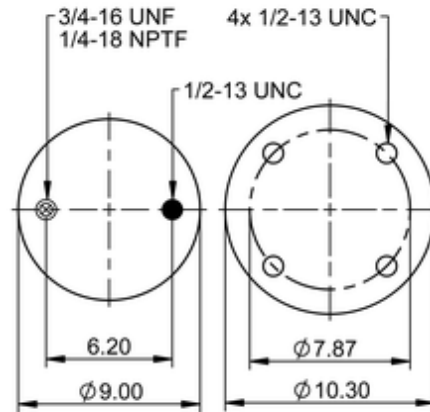
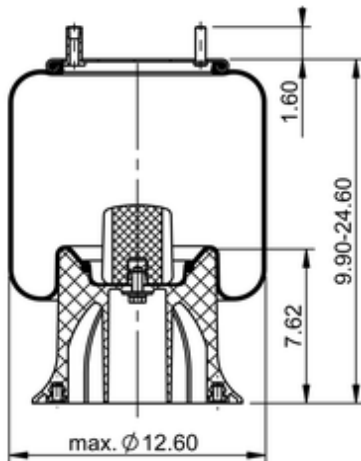


**9 10-19 P 946**
**67479**


|  |                             |
|--|-----------------------------|
|  | 17.4 lb                     |
|  | 9308129                     |
|  | 1/2-13 UNC: max. 35 lbf ft  |
|  | 1/4-18 NPTF: max. 22 lbf ft |
|  | 3/4-16 UNF: max. 50 lbf ft  |

**Cross-reference**

|                   |           |
|-------------------|-----------|
| Goodyear          | 1R12-142  |
| Goodyear Flex No. | 566243066 |
| Triangle          | AS-8946-P |

**OE Manufacturer/Part No.**

| <b>Manufacturer</b> | <b>Original Part No.</b> | <b>Model</b> |
|---------------------|--------------------------|--------------|
| International       | 1681579C1                |              |
| Suspensions, Inc.   | 200041                   |              |
| Loadguard           | SC2108                   |              |
| R&S Truck           | 10907                    |              |