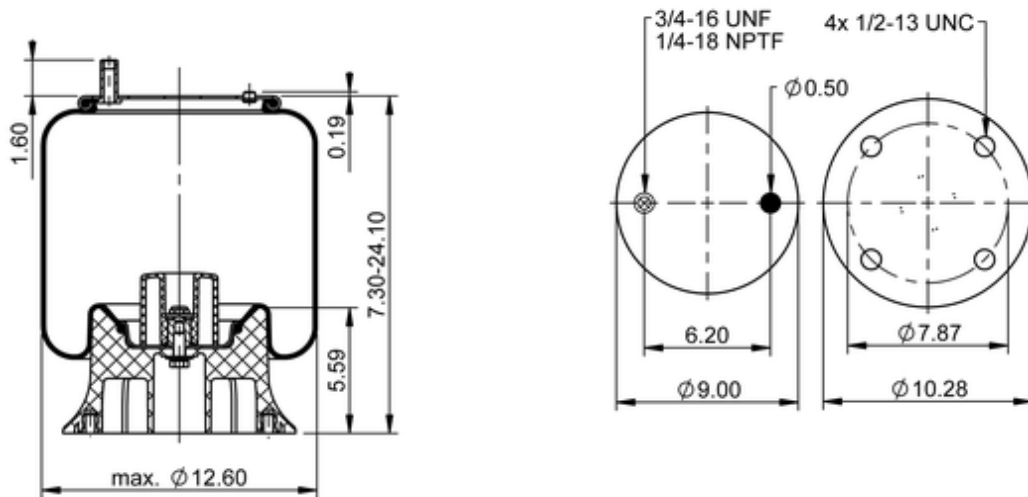


9 10-19 P 762
64708


	14.1 lb
	9308133
	1/2-13 UNC: max. 35 lbf ft
	1/4-18 NPTF: max. 22 lbf ft
	3/4-16 UNF: max. 50 lbf ft

Cross-reference

Firestone Style	1T15M-9
Firestone No.	W01-358-8861
Goodyear	1R12-534
Goodyear Flex No.	566243116
Triangle	AS-8762
TRP	AS88610

Automann

1DK23L-P762

OE Manufacturer/Part No.

Manufacturer	Original Part No.	Model
Watson & Chalin	AS-0061-1G	