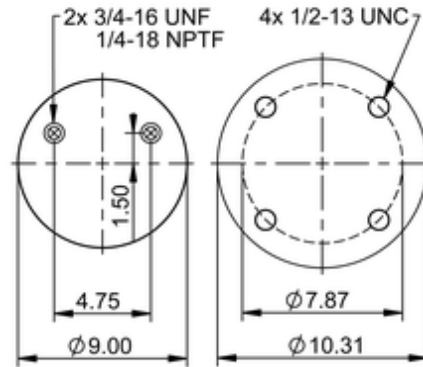
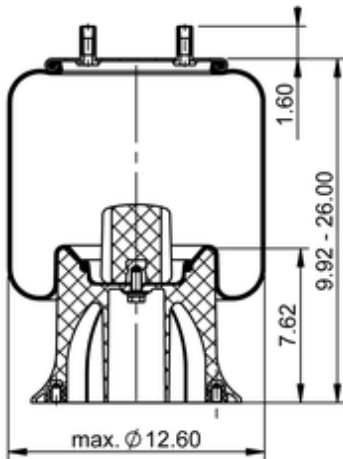


9 10-19 P 438
64335


	17.2 lb
	9308129
	1/2-13 UNC: max. 35 lbf ft
	1/4-18 NPTF: max. 22 lbf ft
	3/4-16 UNF: max. 50 lbf ft

Cross-reference

Firestone Style	1T15M-9
Firestone No.	W01-358-9349
FleetPride	AS9349
Goodyear	1R12-195
Goodyear Flex No.	566243066
Taurus	6364

Triangle	AS-8438
TRP	AS93490
Automann	1DK23L-9349

OE Manufacturer/Part No.

Manufacturer	Original Part No.	Model
Dayton	352-9349	
Hendrickson	S-8988	
Loadguard	SC2763	
Reyco	17636-01	