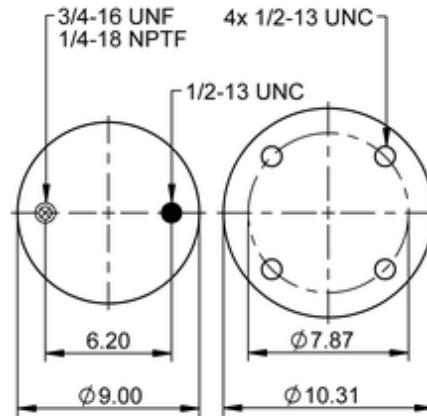
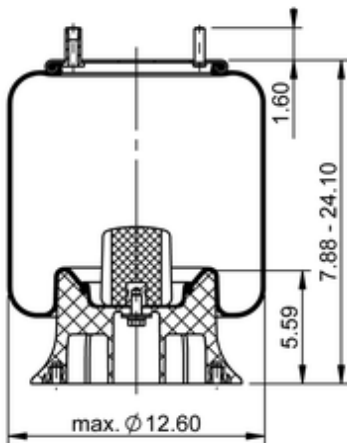


9 10-19 P 355
64324


	15.6 lb
	9308133
	1/2-13 UNC: max. 35 lbf ft
	1/4-18 NPTF: max. 22 lbf ft
	3/4-16 UNF: max. 50 lbf ft

Cross-reference

Firestone Style	1T15M-9
Firestone No.	W01-358-9203
FleetPride	AS9203
Goodyear	1R12-395
Goodyear Flex No.	566243066
Taurus	6364

Triangle	AS-8355
TRP	AS92030
Automann	1DK23L-9203

OE Manufacturer/Part No.

Manufacturer	Original Part No.	Model
Dayton	352-9203	
Hendrickson	S-2694	
Taurus	AS509-9203	
Leland	SC2134	
Ridewell	1003589203C	